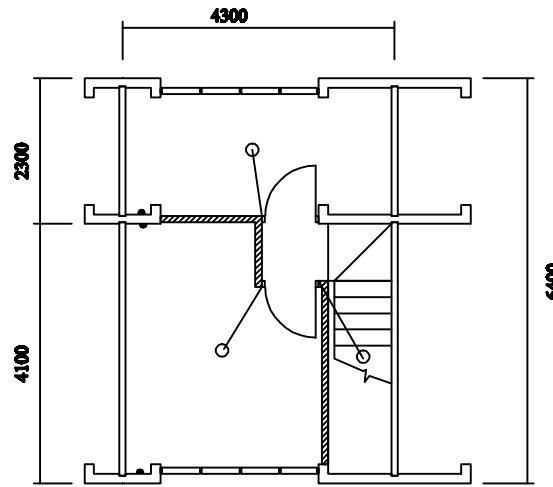
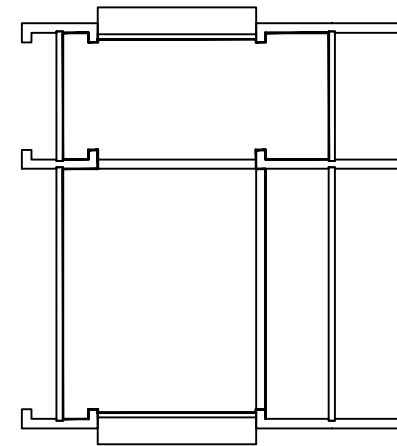


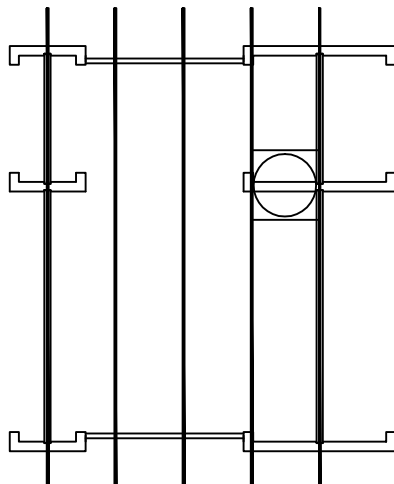
**GROUND FLOOR PLAN**



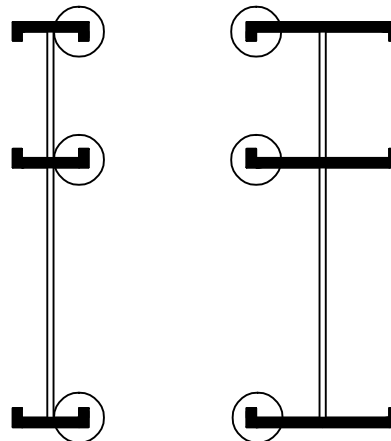
**UPPER FLOOR PLAN**



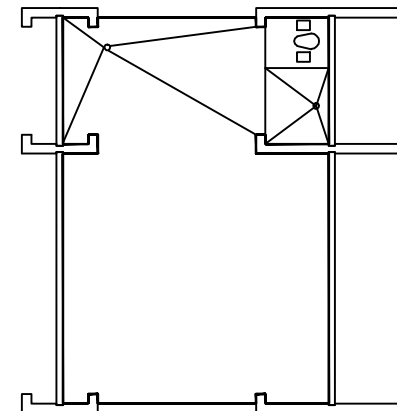
**UPPER FLOOR SLAB**



**ROOF TRUSS LAYOUT**



**FOOTING LAYOUT**



**GROUND FLOOR SLAB**