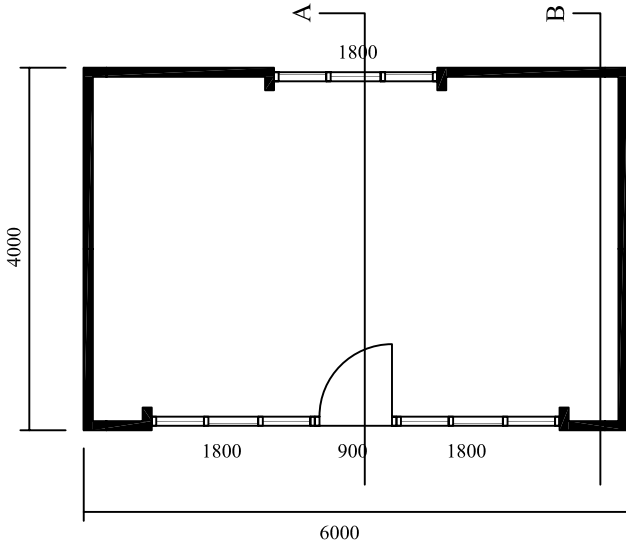
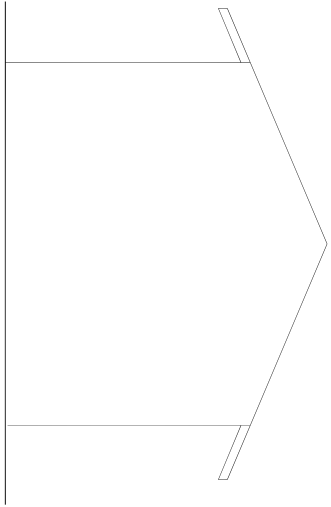
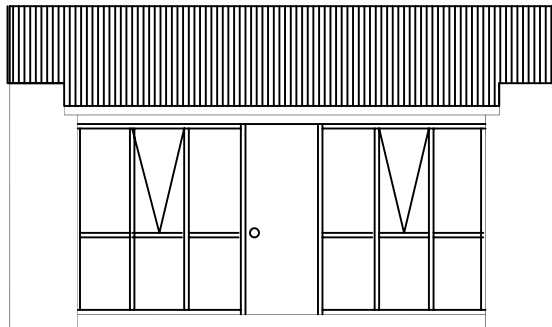
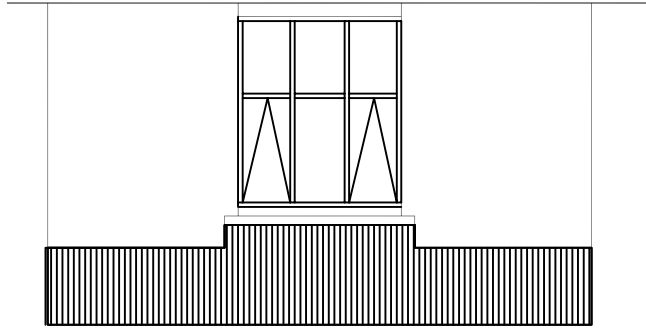


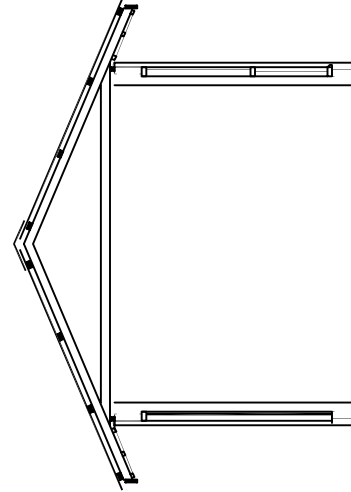
SIDE ELEVATION



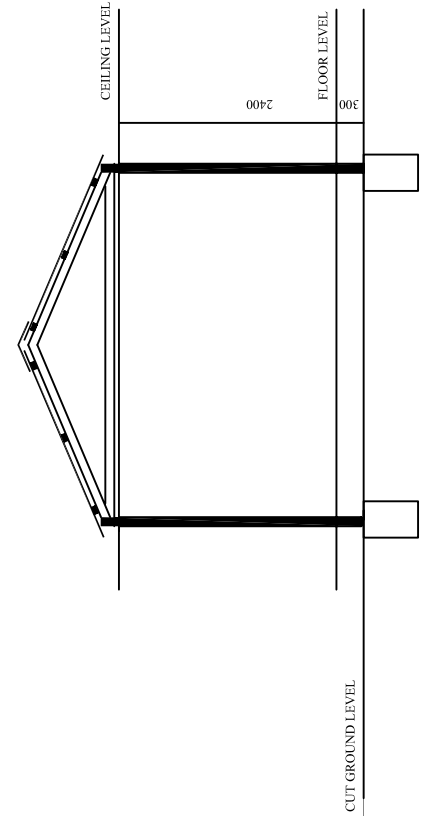
REAR ELEVATION



FRONT ELEVATION



SECTION A-A



SECTION B-B